



SOUTHWEST[®]

OILFIELD PRODUCTS, INC.

MUD PUMP EXPENDABLE PARTS LIST

SOUTHWEST FLUID END

F/ EWECO E-2200 TRIPLEX

®

MUD PERFORMANCE CHART

PUMP MODEL	MAX I.H.P.	MAX S.P.M.	STROKE LENGTH	LINER SIZE IN INCHES									
				5	5 1/2	6	6 1/2	7	7 1/2	8	8 1/2	9	
E-2200	2200	110	15	MAX P.S.I.	7500	7038	5913	5039	4345	3785	3326	2947	2628
				G.P.R.	3.825	4.628	5.508	6.464	7.497	8.606	9.792	11.054	12.393
				G.P.M. @ 110 R.P.M.	421	509	606	711	825	947	1077	1216	1363

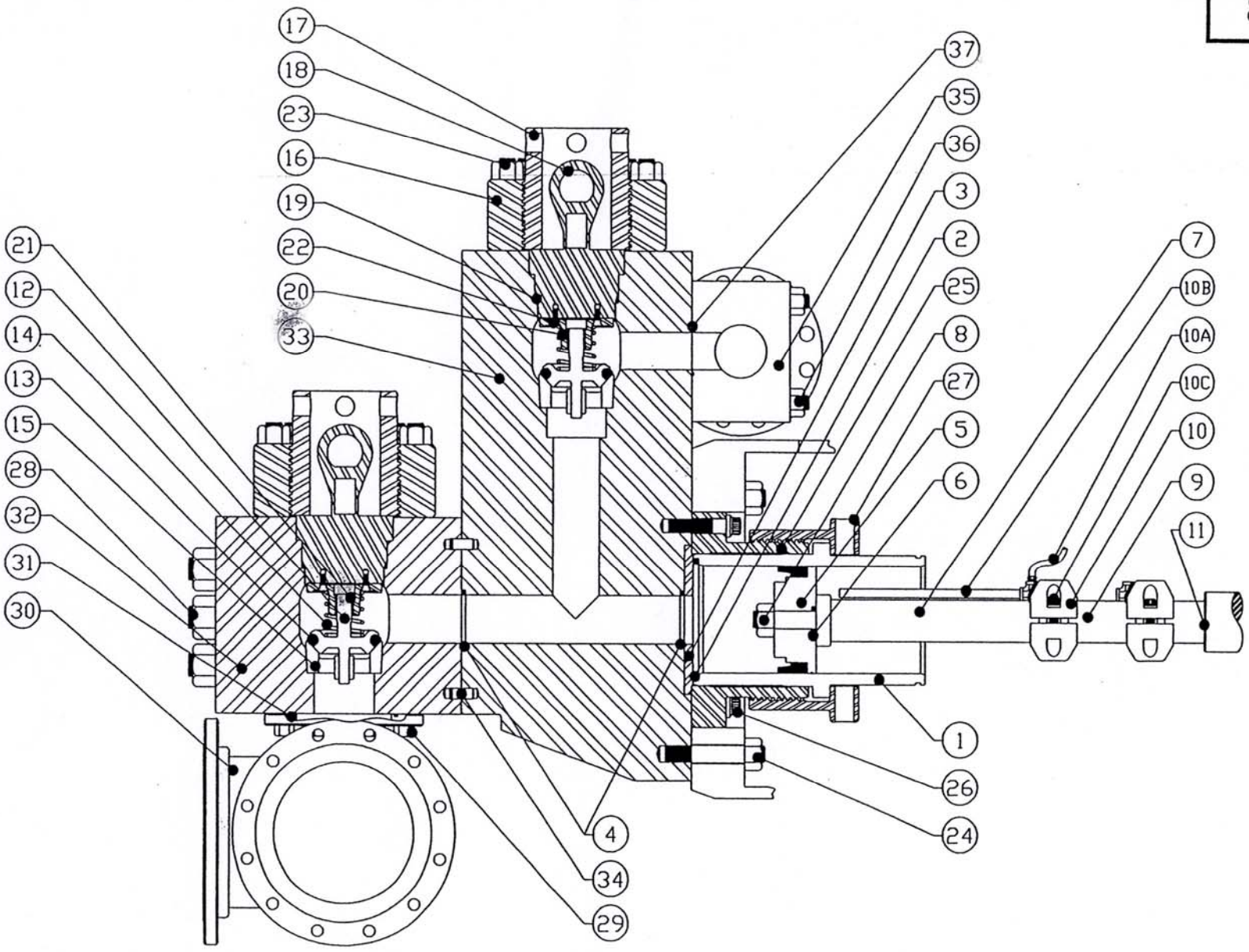
NOTE: I.H.P.= INPUT HORSE POWER S.P.M.= STROKES PER MINUTE P.S.I.= POUNDS PER SQUARE INCH G.P.R.= GALLONS PER REVOLUTION

*MAX P.S.I. CALCULATIONS DO NOT EXCEED MAXIMUM FLUID END PRESSURE RATINGS

BASED ON 100% VOLUMETRIC EFFICIENCY AND 95% MECHANICAL EFFICIENCY

APPROVED BY: T. LEMAN DATE: 04-29-08
 FILE# ACAD PROJECTS\EWECO\E-2200\8432A\FP1 REVISION DATE: REVISION

8432-A

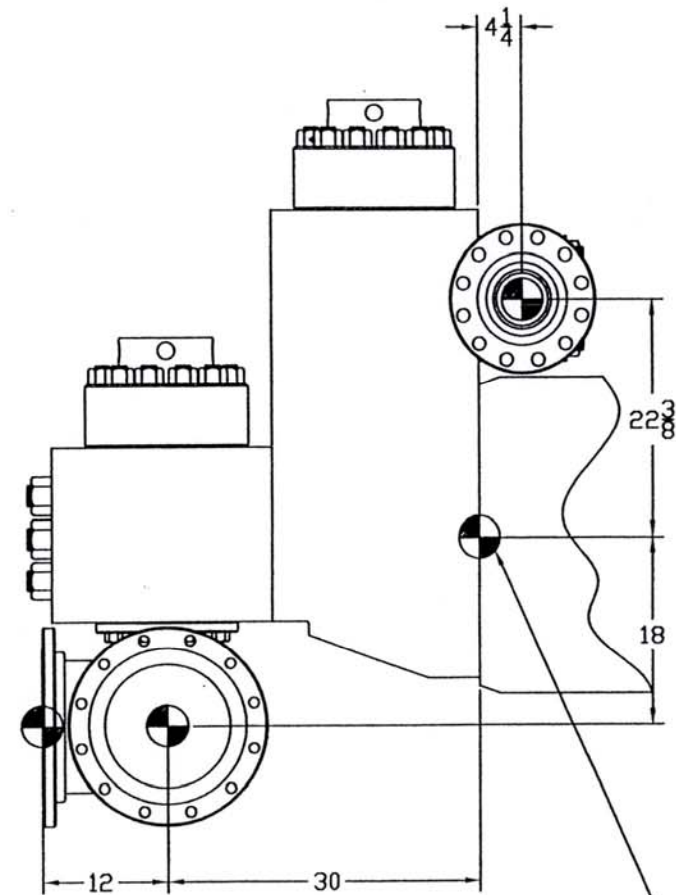
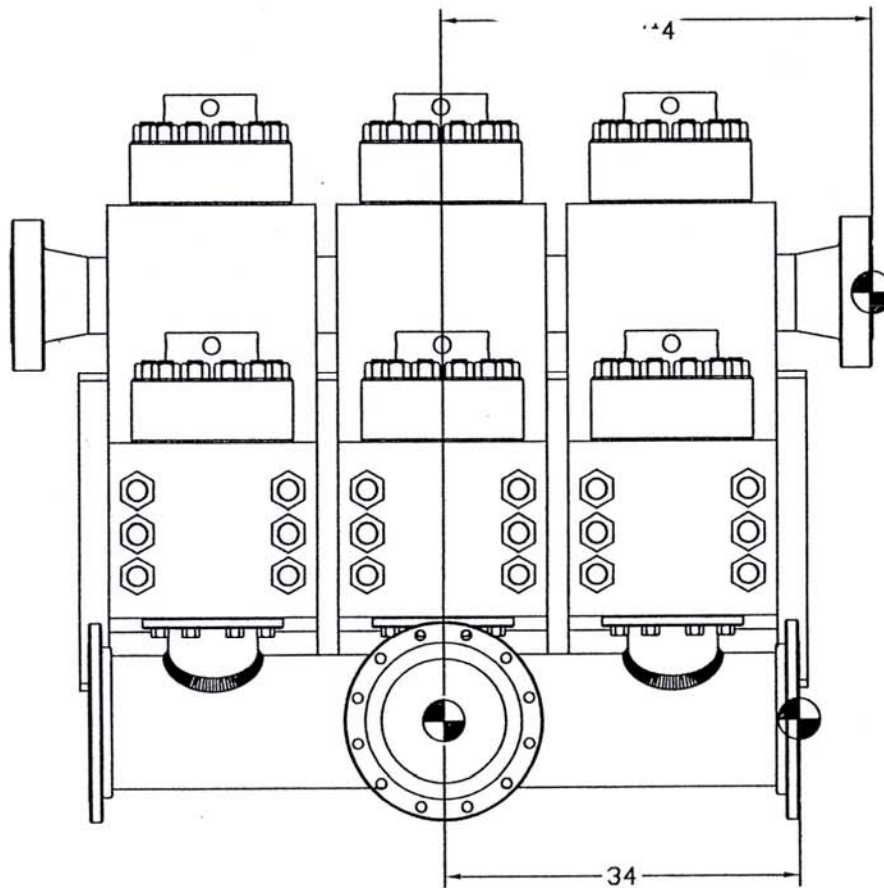


REV#	DATE	REVISED BY	REVISIONS	UNLESS OTHERWISE NOTED . . .	SOUTHWEST® OILFIELD PRODUCTS, INC. -- HOUSTON, TX.				
				1. ALL DIMENSIONS ARE IN INCHES. 2. ALL FRACTIONAL DIMENSIONS ARE ±1/64. 3. ALL DECIMAL DIMENSIONS ARE +.005/-0.000. 4. ALL ANGLES ARE ±0.5°. 5. ALL FILLETS AND RADN ARE 1/16 MAX. 6. CHAMFERS ARE 1/16 x 45° MAX. 7. SURFACE FINISH IS 125√RMS MAX. 8. CONCENTRICITY NOT TO EXCEED .005 T.I.R. 9. BREAK CORNERS AT 1/32 x 45° MAX.	PROPRIETARY INFORMATION--THE INFORMATION CONTAINED HEREON SHALL BE CONSIDERED THE SOLE PROPERTY OF SOUTHWEST OILFIELD PRODUCTS, INC. AND THE RECIPIENT THEREOF AGREES TO MAINTAIN THE INFORMATION CONFIDENTIAL AND AGREES NOT TO COPY, REPRODUCE, DISTRIBUTE TO OTHERS, OR USE IN WHOLE OR IN PART FOR ANY PURPOSE WITHOUT THE EXPRESS WRITTEN PERMISSION OF SOUTHWEST OILFIELD PRODUCTS, INC.	DESCRIPTION ASSEMBLY FOR EWECO E-2200 TRIPLEX SOUTHWEST FLUID END	DRAWN DATE 04-29-08 NAME T. LEMAN HEAT TREATMENT	APPROVED DATE 04-29-08 T LEMAN DRAWING #	SCALE NONE REVISION #
					FILE # ACAD\ASSEMBLY\8432-A	SHEET OF MATERIAL 1 1 N/A N/A	DRAWING # 8432-A		

SOUTHWEST**EWECO E-2200****9" X 15"**

FLUID END TYPE		MODEL OF PUMP	SIZE OF PUMP
ITEM NO.	PART NO.	DESCRIPTION	QTY. REQ'D
	8432-A	FLUID END ASSEMBLY: (CONSISTS OF ITEMS: 3,4,16,17,18,19,20,21,22,23,24,25,26,27,28,29,32,33,34,36)	
1		LINER REFER TO GUIDE FOR ORDERING CHART ON PG. 6 FOR TYPE (G); (Y); AND FOR BORE SIZE (XX)	3
2		LINER SEAL	3
3	8432-3	LINER WEARPLATE	3
4	2988 **	WEARPLATE AND MODULE SEAL	6
5	XX-BYY	PISTON REFER TO GUIDE FOR ORDERING CHART ON PG. 6 FOR SIZE (XX) AND FOR TYPE (YY)	3
6	568-225	PISTON SEAL	3
7		PISTON ROD (WITH ELASTIC STOP NUT)	3
8	API-4 ESN	PISTON ROD NUT	<i>*TORQUE TO 2650 FT.LBS</i>
9		SUB ROD	3
10		ROD CLAMP (WITH WATER JACKET)	6
10A		HOSE (1/2" X 30" WITH 1/2" MALE X 3/8" MALE CONNECTIONS)	3
10B		PIPE (1/2" NPT X 12" LONG GALVANIZED AND THREADED ON ONE END)	3
10C		BOLT (5/8-11 GRADE 8 BOLT WITH LOCK NUT AND WASHER)	12
11		PONY ROD	3
12	SEE PAGE 6	VALVE COMPLETE	6
13	SEE PAGE 6	VALVE INSERT	6
14	SEE PAGE 6	VALVE SPRING	6
15	SEE PAGE 6	VALVE SEAT	6
	HP-1700	HYDRAULIC SEAT PULLER KIT COMPLETE (REFER TO TOOLS SECTION IN CATALOG)	1
16	4476	VALVE COVER FLANGE	6
17	4597	SCREW GLAND	6
18	4609-25	PLUG (COMPLETE WITH VALVE GUIDE; BUSHING; AND SCREWS) INCLUDES ITEMS 19,20,21, & 22	6
19	P-119 **	HP VALVE COVER PLUG NITRILE SEAL	6
20	4776-R	VALVE GUIDE (COMPLETE WITH INSERT #4700-I)	6
21	4700-I **	VALVE GUIDE INSERT	6
22	4016-98	VALVE GUIDE SCREW	<i>*TORQUE TO 80 FT.LBS</i>

** POLYURETHANE SEAL AVAILABLE 2988-U; P-119U; 4700-IU



LINER CENTERLINE AT PUMP FRAME FACE

LAYOUT SHOWS LOCATION OF CONNECTIONS USING ORIGINAL EQUIPMENT FOR DISCHARGE AND SUCTION MANIFOLD. SUCTION CONNECTIONS ARE 12" 150# ANSI. DISCHARGE CONNECTIONS ARE 5 1/8" 10,000 PSI API RING JOINT CONNECTIONS.

REV.#	DATE	REVISED BY	REVISIONS . . .	UNLESS OTHERWISE NOTED . . .	SOUTHWEST® OILFIELD PRODUCTS, INC. -- HOUSTON, TX.				
				1. ALL DIMENSIONS ARE IN INCHES. 2. ALL FRACTIONAL DIMENSIONS ARE ±1/64. 3. ALL DECIMAL DIMENSIONS ARE +.005/- .000. 4. ALL ANGLES ARE ±0.5°. 5. ALL FILLETS AND RADII ARE 1/16 MAX. 6. CHAMFERS ARE 1/16 x 45° MAX. 7. SURFACE FINISH IS 125√ RMS MAX. 8. CONCENTRICITY NOT TO EXCEED .005 T.I.R. 9. BREAK CORNERS AT 1/32 x 45° MAX.	<small> PROPRIETARY INFORMATION—THE INFORMATION CONTAINED HEREIN SHALL BE CONSIDERED THE SOLE PROPERTY OF SOUTHWEST OILFIELD PRODUCTS, INC. AND THE RECIPIENT THEREOF AGREES TO MAINTAIN THE INFORMATION CONFIDENTIAL AND AGREES NOT TO COPY, REPRODUCE, DISTRIBUTE TO OTHERS, OR USE IN WHOLE OR IN PART FOR ANY PURPOSE WITHOUT THE EXPRESS WRITTEN PERMISSION OF SOUTHWEST OILFIELD PRODUCTS, INC. </small>	DESCRIPTION PIPING LAYOUT FOR EWECO E-2200 SOUTHWEST FLUID END	DRAWN DATE 04-23-08 NAME T. LEMAN HEAT TREATMENT	APPROVED DATE 04-23-08 NAME T. LEMAN DRAWING #	SCALE NONE REVISION #
					FILE # ACAD\PROJECTS\EWECO\E-2200\8432-APL	SHEET OF MATERIAL 1 1 N/A	N/A	8432-APL	

EWECO E-2200 GUIDE TO ORDERING

SIZE	PISTONS			LINERS		LINER SEALS	
	FAIL-SAFE	DUAL-DURO®	GRAYLOY®	CHROME	CERAMIC	RUBBER	URETHANE
5"							
5 1/4"							
5 1/2"							
5 3/4"							
6"							
6 1/4"							
6 1/2"							
6 3/4"							
7"							
7 1/4"							
7 1/2"							
7 3/4"							
8"							
8 1/4"							
8 1/2"							
8 3/4"							
9"							

VALVES & SEATS

TYPE	VALVE	INSERTS	SPRINGS	STAINLESS SPRING	SEAT	PULLER HEAD
FULL OPENING	SWND-7-V2	N/A	5710-115L	N/A	SWND-7-S12	ND-7PH
*DBL-ANGLE O-RING	SWR-0500110	SWR-0514275	SWR-0513744	SWR-0514790	SWR-0514299	SWTM 3-7T
FULL OPENING	777-8	977	951	990	877-8	SWTM-4250

* CENTER GUIDED VALVES AND SEATS

NOTE: DUAL-DURO® AND GRAYLOY® ARE REGISTERED TRADEMARKS OF SOUTHWEST OILFIELD PRODUCTS, INC.

APPROVED BY: T. LEMAN	DATE: 04-30-08	REVISED BY:	
FILE# ACAD\PROJECTS\EWECO\E-2200\8432A_P6		REVISION DATE:	REVISION